



Flight Light Inc.
2708 47th Ave.
Sacramento, California, U.S.A.
95822-3806



PH (916) 394-2800 FX (916) 394-2809
TF (800) 806-3548 EM info@flightlight.com

Heliport FAA L-867 Light Bases, Base Plates & Mounting Stakes

L-867 Light Base Compliance and Applications

FAA: AC 150/5345-42H

L-867 Non-Load Bearing

Our FAA approved, non-load bearing light bases are designed for locations which experience occasional light vehicular loading, but no aircraft or other heavy vehicular load. The base typically supports an elevated taxiway light fixture and houses a powering isolation transformer. It can also be used solely as a junction box or transformer housing.

Non-Load Bearing Standard

FAA L-867 Sizes:

B=12" diameter (10-1/4" bolt circle)

D=16" diameter (14-1/4" bolt circle)

E=24" diameter (14-1/4" bolt circle)

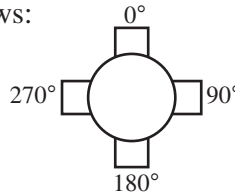
Standard Height: 24"

Material: Hot dipped galvanized steel standard. Also available in PVC, adjustable PVC and adjustable steel.

Conduit Openings: Grommets to accommodate 2" PVC standard. Hubs available. Other opening sizes are

available.

Conduit Locations: Locations are designated based on a 360 degree circle as follows:



0° and 180° are standard. All conduit locations must be specified at time of order. Center of standard opening is 2-1/2" above the bottom of the light base.

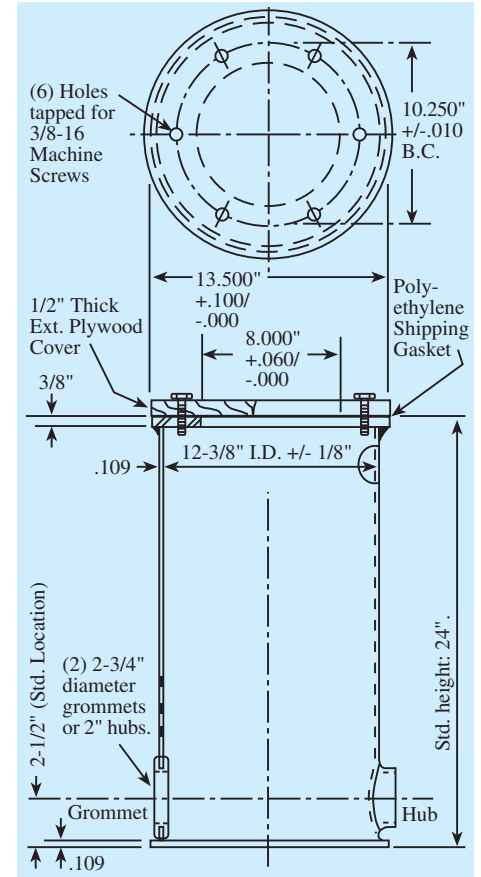
Shipping Info: Shipped with 6 stainless steel bolts and a protective 1/2" thick plywood cover.

Options: Must be specified.

Grounding: Grounding straps must be specified at time of order. Internal, external or both are available.

Drain holes: 3/4" drain hole standard. Other sizes available. Please specify.

Other options: Please specify as needed.



L-867 Size B Light Base

L-867 Light Base Ordering Code

Config.	Weight*	Cube	Type	Configuration	Conduit Openings			Options		
				Size/Material/Dia./Height	Type	Standard Locations	Ground Strap	Drain Hole	Other	
L867 BG	45	2.0 cf	867	B=Steel/12" Dia./24" Height	G=Grommets for 2" PVC	2 (0°/180°)	0=None	0=None	0=None	
L867 BH	50	2.0 cf			H=Hubs for 2" PVC	3 (0°/90°/180°)	I=Internal	D=3/4" hole	S=Specify	
					J=Special grommet size	4 (0°/90°/180°/270°)	E=External	E=1" hole		
					K=Special hub size	S (Specify, extra cost)	Q=Internal & External	S=Specify		

Bid Item	Qty.	Prefix	Typical light base configuration for an L-861 elevated taxiway edge light.						
		30	867	B	G	2	0	D	0
		30	867						
		30	867						
		30	867						
		30	867						

* Steel bases.

Visit our web site: www.flightlight.com

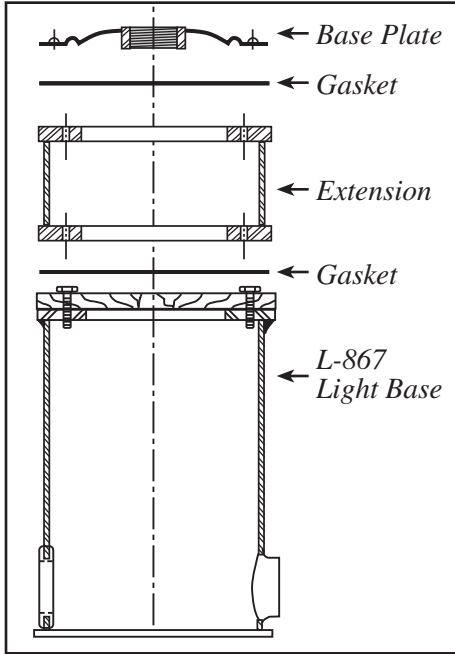


Flight Light Inc.
 2708 47th Ave.
 Sacramento, California, U.S.A.
 95822-3806



PH (916) 394-2800 FX (916) 394-2809
 TF (800) 806-3548 EM info@flightlight.com

Heliport FAA L-867 Light Bases, Base Plates & Mounting Stakes



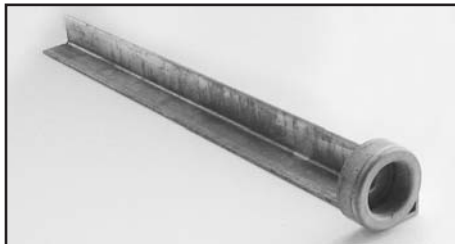
L-867 Installation Configuration

L-867 Base Plate

- Mounts on a light base to allow the installation of an elevated light.
- 8.5" (7.25" B.C.) diameter base plate with 1.5" NF tap.
- 12" (10.25" B.C.) and 16" (14.25" B.C.) diameter base plates with 1.5" NF or 2" NPS tap.
- Corten aluminum or steel construction with aviation yellow enamel finish.
- **Included:** Neoprene gasket (P/N 30-2052), steel L-830 secondary cable clamp and connector screws.

Base Plates

Bid	Qty.	P/N (Description)
		BA-1935AA-25 (8.5" dia., 1.5"NF tap)
		30-1935 (12" dia., 1.5"NF tap)
		30-1932 (12" dia., 2"NPS tap)



Mounting Stake (P/N 30-2202)

Mounting Stake

- Mounting stake is driven into the ground to provide a stable base for elevated lights.
- 3.5" diameter hub with 1.5"NF or 2" NPS tap and 30" long 3/16" steel angle.
- Cable clamp and (3) 10-24 stainless steel screws included.

Bid	Qty.	P/N (Description)
		30-2205 (1.5" NF tap)
		30-2202 (2.0" NPS tap)

Visit our web site: www.flightlight.com

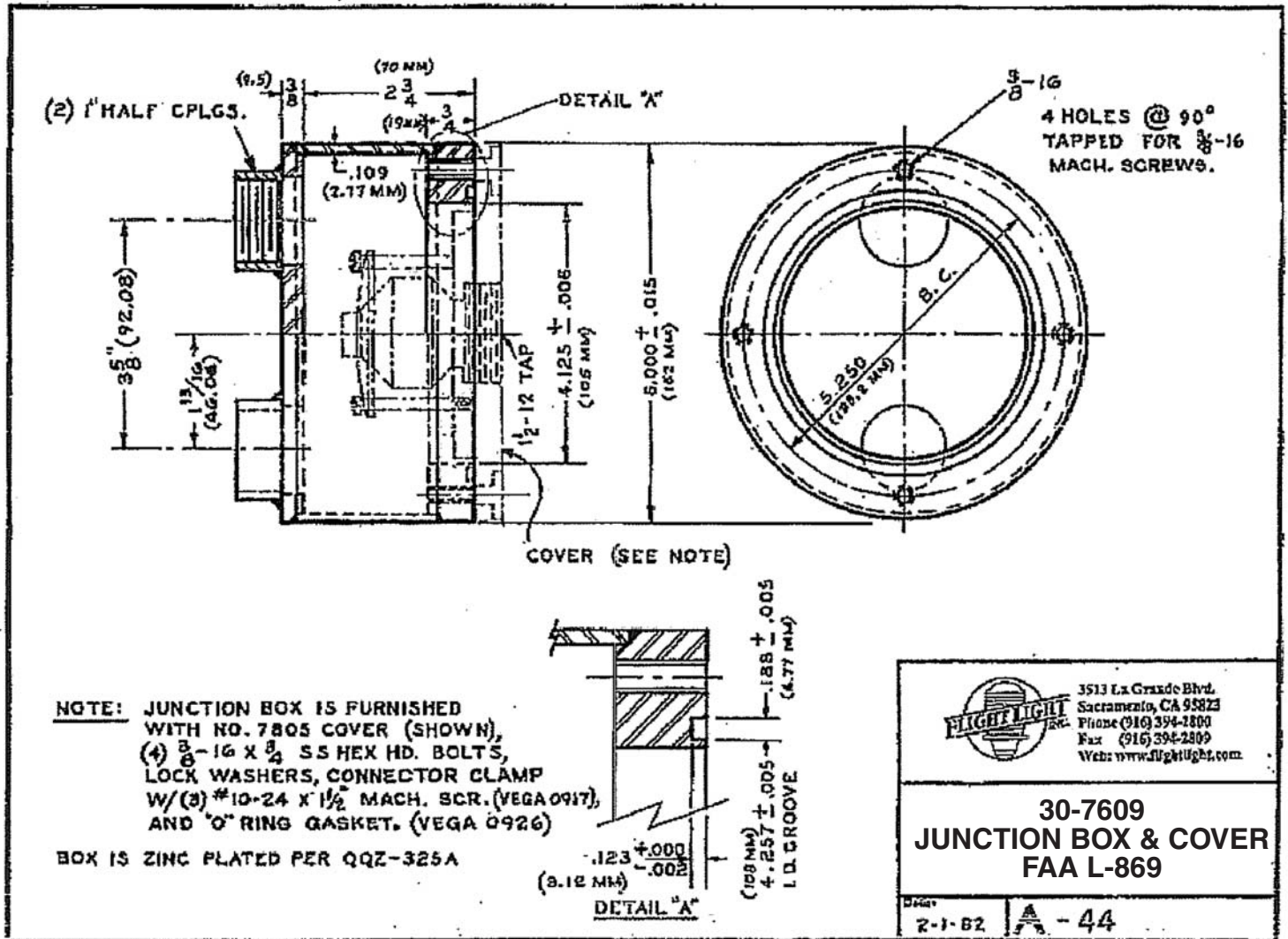


Flight Light Inc.
 2708 47th Ave.
 Sacramento, California, U.S.A.
 95822-3806



Heliport
 FAA L-867 Light Bases,
 Base Plates & Mounting Stakes

PH (916) 394-2800 FX (916) 394-2809
 TF (800) 806-3548 EM info@flightlight.com



Visit our web site: www.flightlight.com