

Q-EX Helideck Floodlight

Compliance and Applications

- Atex Ex db IIC T4 or T5 Gb
- ICAO Annex 14, Volume 2
- CAA – CAP437

The Q-EX Floodlight is used to provide helideck surface illumination for explosion proof offshore facilities. The floodlight is easy to install and requires little maintenance.

Technical Specifications

- Product Code: Q12RI01 / Q12RI02
- Light Color: White (6000k)
- Light Source: LED
- IP-index: IP66
- Enclosure: Aluminum, powder coated
- Mounting: Rigid
- Input Voltage: 100-240 Vac or 12-24 Vdc
- Cable: H07RN-F 3x1 (1.5 meter)
- Consumption: 35 Watt/peak
- Ambient Temp: -58° to +158° F (-50° to +70° C)
- System power: 30 - 45 W

Operation

The floodlighting should be arranged so as not to dazzle the pilot and, if elevated and located off the landing area clear of the LOS, the system should not present an obstacle to helicopters landing and taking off from the helideck. All floodlights should be capable of being switched on and off at the pilot's request. Setting up of lights should be undertaken with care to ensure that the issues of adequate illumination and glare are properly addressed and regularly checked. For some decks it may be beneficial to improve depth perception by floodlighting the main structure or 'legs' of the platform.



Order Code →	Product Code			Configuration Code			
	Q12	RI	01	WH	..	- 16	- 999
Product Name	Q12	Q-Floodlight					
Mounting	RI	Rigid					
Zone	02	Zone 2	01				
Color	WH	White					
Input Power	11	100-240 Vac					
	12	12-24 Vdc					
Operation							
	16	Steady Burning					
Fixed Digit	999	-					

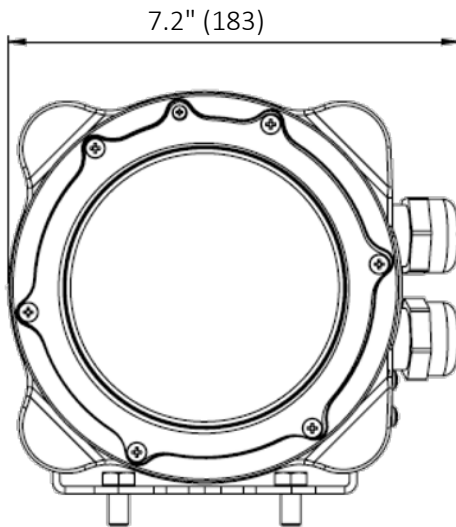
+1.800.806.3548 US & Canada
 +1.916.394.2800 Worldwide
 +1.916.394.2809 Fax

www.flightlight.com
sales@flightlight.com

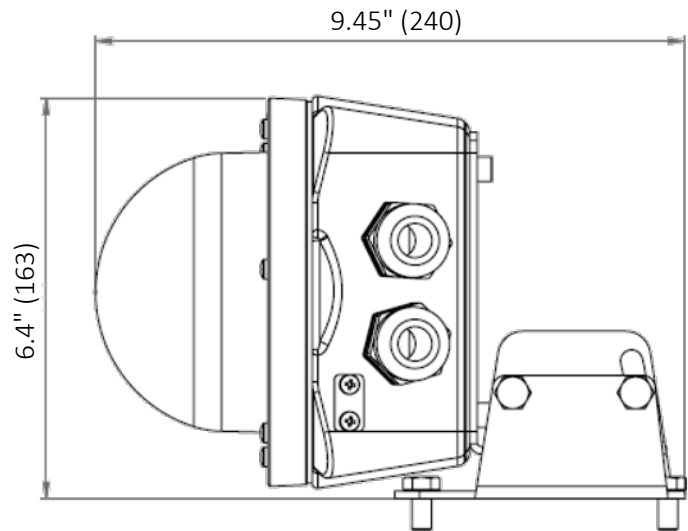
Flight Light Inc., 2708 47th Ave.
 Sacramento, CA, 95822, USA

General Dimensions

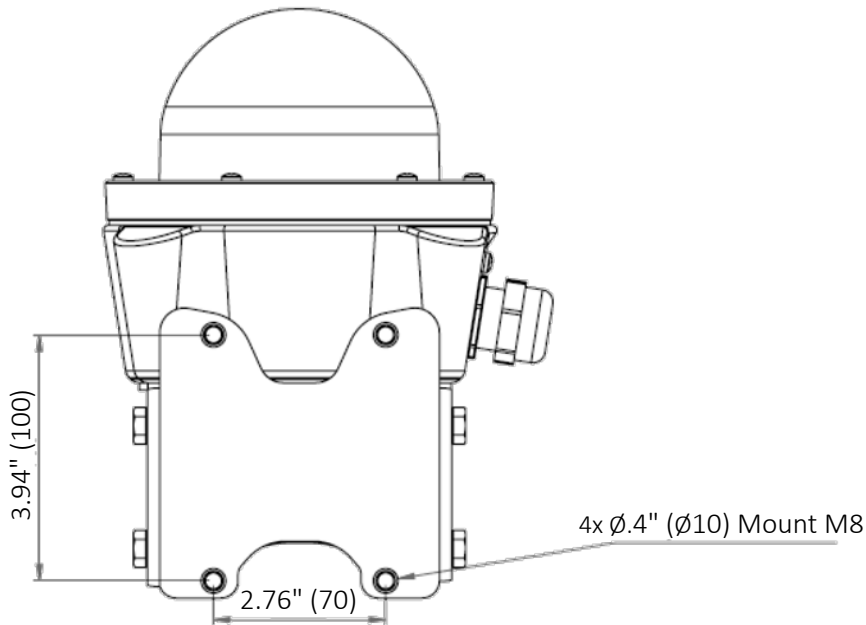
In the image below the general dimensions and mounting dimensions are displayed.



Front View



Right View



Bottom View