

HBM 150/3 L-801H & L-802H Heliport Rotating Beacon

Compliance and Applications

FAA: L-801H A/C150/5345-12 (Current Edition)

L-802H A/C150/5345-12 (Current Edition)

ICAO: Annex 14, para 5.3.3

L-801H and L-802H Rotating Beacons are designed primarily for night operation as identification and location markers for heliports.

Features

- Patented belt-drive system eliminates the lubrication maintenance required by conventional gear-drive beacons (U.S. Pat. 5,339,224)
- Patented liquid-filled lamp connector, eliminating the slip rings and brushes found on conventional beacons (U.S. Pat. 5,816,678)
- Three 14,000 lumen, 150 watt metal-halide lamps
- 12,000 hour typical lamp life (3 years)
- One clear, one aviation green, and one yellow lens
- Available in Hospital Heliport version (not FAA certifiable)
- NO maintenance except lamp replacement
- All moving parts are permanently lubricated
- Impedance-protected motor eliminates burnouts
- Lamps preset 5° above horizontal, adjustable
- 12 RPM rotation, 36 flashes/minute
- Weatherproof steel cabinet, powder coated international orange
- Optional stainless steel cabinet and bearings for highly corrosive environments
- Class I temperature range: -22 to +131 °F (-30 to +55 °C)
- Class II temperature range: -67 to +131 °F (-55 to +55 °C)
- Tested to wind velocities of 100 mph (160.9 kph)
- Optional photocell and/or tell-tale relay
- Mountable on a tipdown pole
- Military version available
- Power Consumption: 595W Class I, 995W Class II
- Manufactured in the USA

Shipping Information

Unpackaged Weight: 96 lb. (44 kg)

USA Shipping Weight: 124 lb. (56 kg)

USA Shipping Volume: 48" x 28" x 25" (122 x 71 x 64 cm)

International Shipping Weight: 124 lb. (56 kg)

International Shipping Volume: 48" x 28" x 25" (122 x 71 x 64 cm)



Optional Beacon Tipdown Pole

Options

Part Number	Description
L801/802 T/T HBM 120	Tell-tale Relay, 120 VAC
L801/802 T/T HBM 240	Tell-tale Relay, 220-240 VAC
4200-0000	Tower Mounting Kit
L801/L802 HBM SS	Stainless Steel Option

Ordering Information

Part Number	Description
L801H7116	120 VAC, 60 Hz, Class I
L801H7116M	120 VAC, 60 Hz, Class I, Military Heliport
L801H7125	220-240 VAC, 50 Hz, Class I
L801H7125H	220-240 VAC, 50 Hz, Class I, Hospital Heliport
L801H7126	220-240 VAC, 60 Hz, Class I
L801H7126H	220-240 VAC, 60 Hz, Class I, Hospital Heliport
L801H7216	120 VAC, 60 Hz, Class II
L801H7216H	120 VAC, 60 Hz, Class II, Hospital Heliport
L801H7225	220-240 VAC, 50 Hz, Class II
L801H7225H	220-240 VAC, 50 Hz, Class II, Hospital Heliport
L801H7226	220-240 VAC, 60 Hz, Class II
L801H7226H	220-240 VAC, 60 Hz, Class II, Hospital Heliport

NOTE: 220-240 VAC must be single wire with neutral

+1.800.806.3548 USA
+1.916.394.2800 Worldwide
+1.916.394.2809 Fax

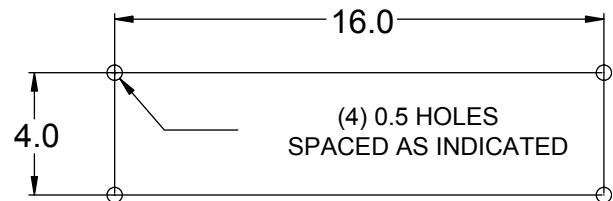
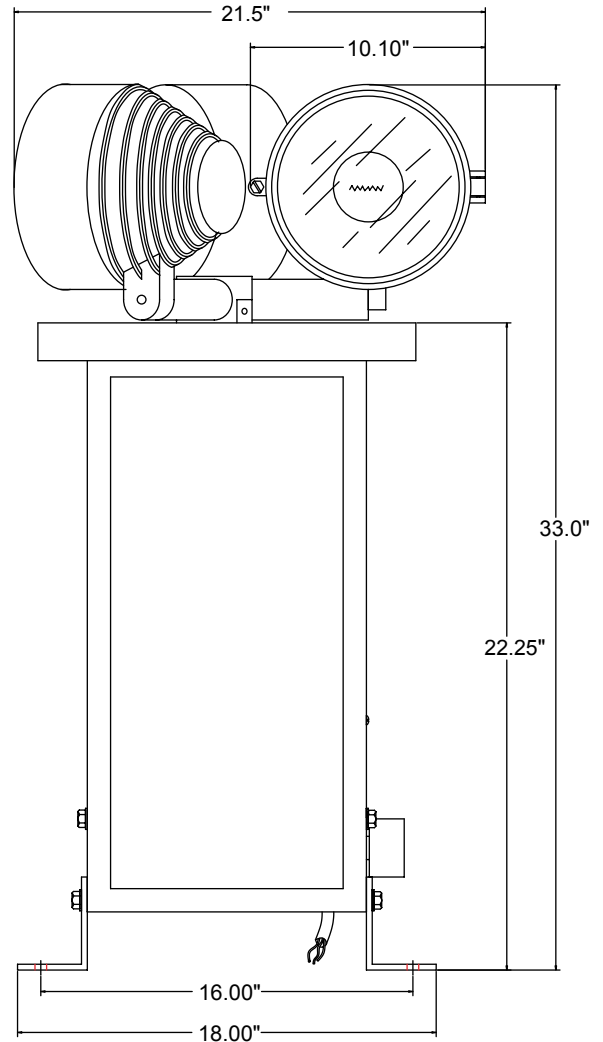
www.flightlight.com
sales@flightlight.com

Flight Light Inc., 2708 47th Ave.
Sacramento, CA, 95822, USA



Replacement Parts

Part Number	Description
0200-0007	Ballast, 120/240 VAC, 60 Hz
0600-0003	Belt
2300-0002	Motor Fuse, 1/2 amp
2300-0012	Lamp Fuse, 8 amp
3400-0125B	Lamp, 150 watt
2800-0006	Lens, Clear
2800-0043	Lens, Green
2800-0025	Lens, Amber
2800-0010	Lens, Red
2800-0026	Lens, Split Beam
1500-0011	Lens Clip



MOUNTING BOLT PATTERN