



HL-860FL LED Heliport Perimeter Light & Floodlight (HPLF)

Applications

The HPLF is a combination of our LED heliport perimeter light and an LED floodlight intended to "wash" the pad with light.

The perimeter light is mounted on a powder coat painted cast aluminum housing secured by a stainless steel clamp band. The fixture body finish is aviation yellow. The HPLF mounts to a standard breakable coupling. The overall height is 16.25".

Our heliport perimeter lights provide an LED based solution to the ICAO touchdown and lift-off area perimeter style of steady-burning lights. The lights are currently available with green, blue, red, clear, yellow or infrared LEDs operating at 120, 240, 277 VAC or 10-30 VDC.

LED Perimeter Light Features

- LED life rated up to 70,000 hours
- 95% less power than an equivalent incandescent light
- 2.4 - 4 watts power consumption
- Available with green, blue, red, clear, yellow or infrared LEDs
- 3-Step Dimming Controller to minimize nighttime glare available
- Weather/corrosion resistant
- IP67 Compliant
- Self contained wiring compartment eliminates additional boxes
- Resistant to shock and vibration
- Direct replacement for existing incandescent lighting
- Compliant to: ICAO Annex 14, Vol II, 1999
- Exceeds FAA Engineering Brief 87 Specifications
- 5 year warranty

LED Perimeter Light Visible/Infrared LED Option

Common LED lights can pose a hazard to pilots using Night Vision Goggles (NVGs). This is due to the fact that NVGs typically use filters to block cockpit lighting from saturating the imaging system. This has the unintended effect of making LED lights invisible to pilots. In response, we have incorporated NVG friendly technology into our perimeter light, giving pilots using night vision goggles unmatched visibility of the helipad touchdown and lift-off area (TLOF).

LED Perimeter Light Dimming Option

With the dimming option, the perimeter lights can be dimmed at night to reduce glare (floodlight does not dim). Three brightness levels can be selected. The dimming option is only available with a Flight Light 3-Step Dimming Controller.



HL-860FL LED Heliport Perimeter Light & Floodlight (HPLF)

LED Floodlight Features

- Multi-chip 18 watt, high-output, long-life LEDs
- UL Listed: Suitable for wet locations - mounting within 4' (1.2M) of the ground (AC model only)
- IP66 Compliant
- Bronze chip and fade resistant polyester powder coat finish
- Precision die-cast aluminum housing, lens frame and mounting arm
- Heavy-duty mounting arm with O-ring seal and stainless steel screw
- Heatsink: Die-cast aluminum LED housing designed for maximum heat dissipation
- Semi-specular anodized aluminum reflector
- Metal guard to protect the lens
- High-temperature silicone gaskets
- Green Technology: Mercury, UV free, no VOCs used for finishing materials

DC Model Floodlight

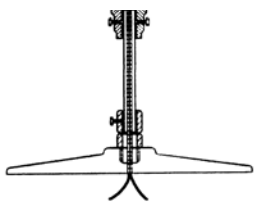
- Low voltage DC for added safety
- Ideal for solar, off-grid, remote-area lighting applications
- Up to 85% more energy efficient than line voltage AC solutions
- No energy loss from DC-AC inverter



Ordering Codes

Fixture	Power	Perimeter Output	Fixture Options
HL-860FL	AC1: 120VAC	G: Green (std) ²	1: 1.5" Frangible Coupling (FL-FC1.5)
	AC2: 240VAC	B: Blue	
	AC3: 277VAC	R: Red	
	DC: 10-30VDC	C: Clear	2: 2" Frangible Coupling (FL-FC2.0)
	DCD: 10-30VDC Dimming ¹	Y: Yellow	
		IR: Infrared ³	

¹ Only perimeter light dims, floodlight does not dim.
² Green is currently the recommended color for heliport perimeter lights.
³ Infrared must be used in conjunction with visible LEDs. Infrared does not dim with the "DCD" dimming option.



Base Mounted
8.5" or 12" Base Plate (sold separately)



Stake Mounted
30" Angle-Iron Mounting Stake (sold separately)

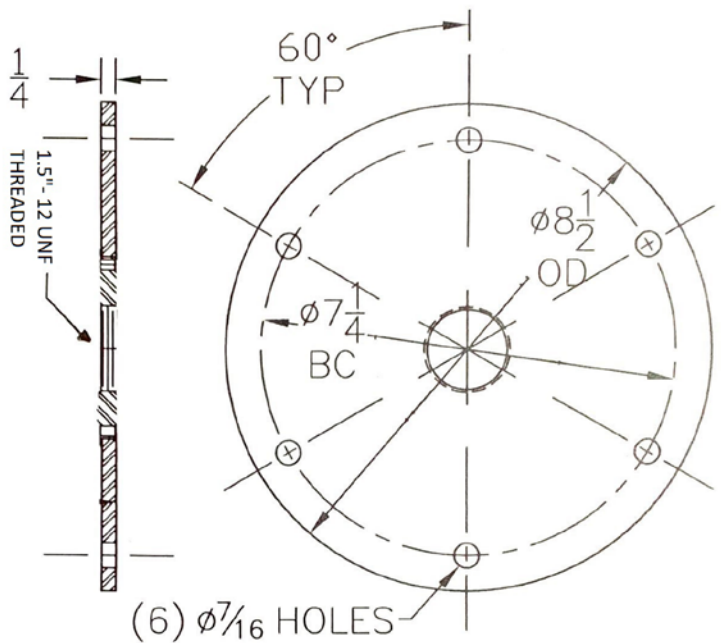


J-Box Mounted
30-7609 J-Box (sold separately)

Base Plate for L868AA 5" Shallow Base (BA-1935AA-25)

Specifications

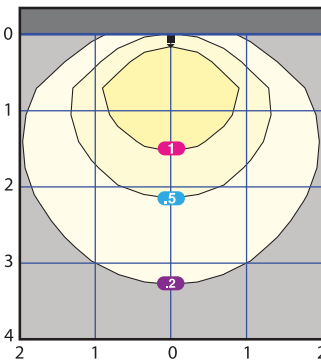
- Dimensions: 8.5" diameter x .25" thick
- Bolt Circle: 7.25"
- Material: Hot rolled steel
- Finish: Aviation yellow powder coat
- Includes (6) 3/8-16 x 1" stainless steel hex head cap screws
- Part #: BA-1935AA-25



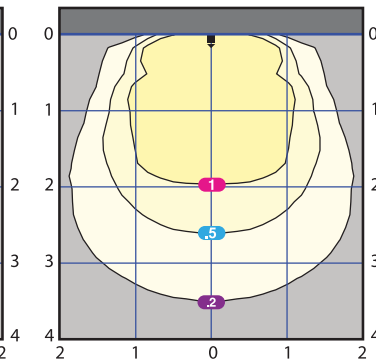
LED Floodlight Specifications

- Light Source: 18W LED
- Input Power: AC = 22W, 100-277 VAC; DC = 24W, 10-30 VDC
- Life: 100,000 hours
- Lumens (Initial): 1624
- Lumens Per Watt: 73
- Color Temp.: 5100K
- Finish Color: Bronze
- Housing: Die-Cast Aluminum
- Lamp Dimen.: 7" H x 8.625" W x 5.125" D
- Lamp Weight: 4.8 lb.
- CA Title 24: Compliant
- Warranty: 5 Years

Heliport LED Floodlight
10' Mounting Height
Aimed 30° Below Horizon



70W Metal Halide Floodlight
10' Mounting Height
Aimed 30° Below Horizon



Multiples of Mounting Height. Values shown in Footcandles.

+1.800.806.3548 USA
+1.916.394.2800 Worldwide
+1.916.394.2809 Fax

www.flightlight.com
sales@flightlight.com

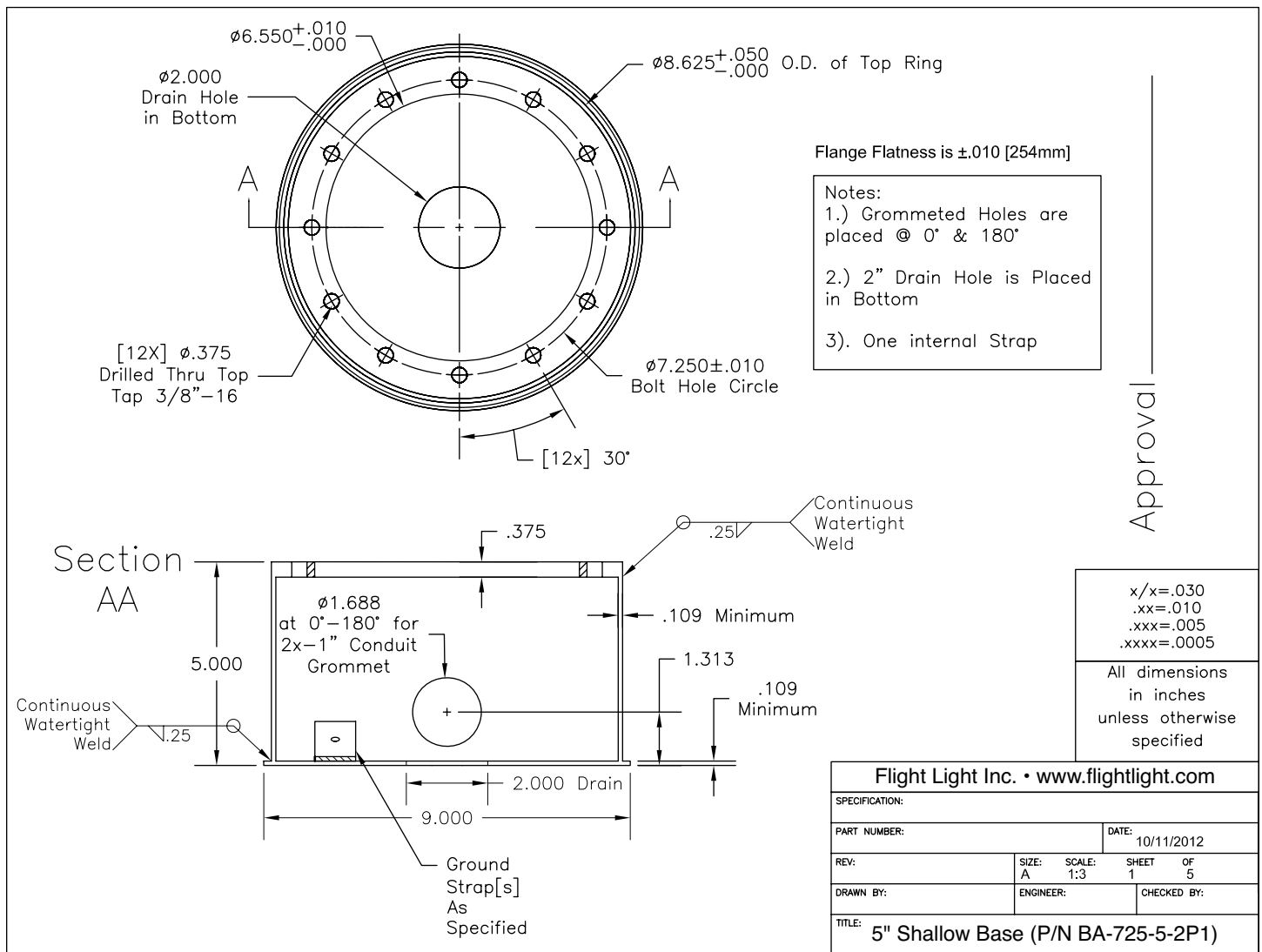
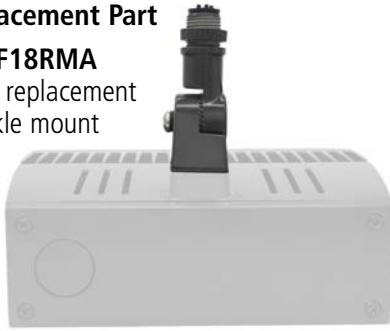
Flight Light Inc., 2708 47th Ave.
Sacramento, CA, 95822, USA



Replacement Part

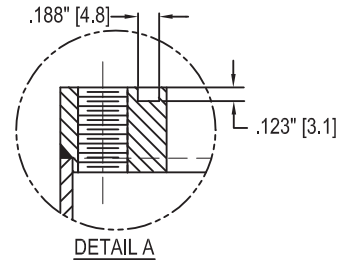
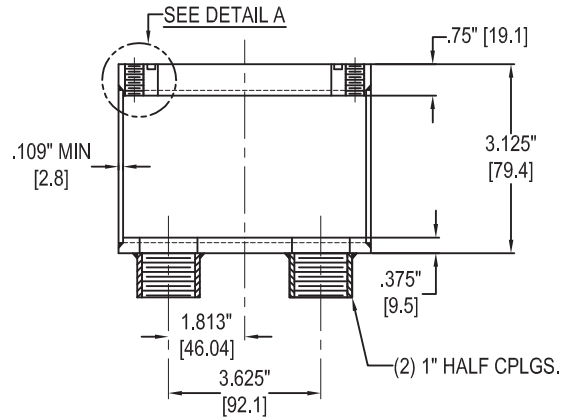
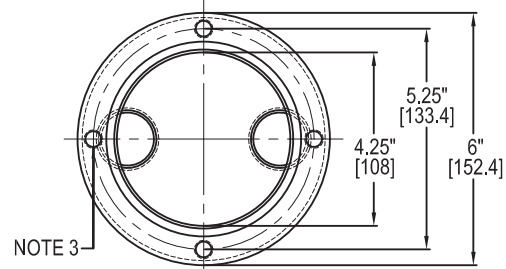
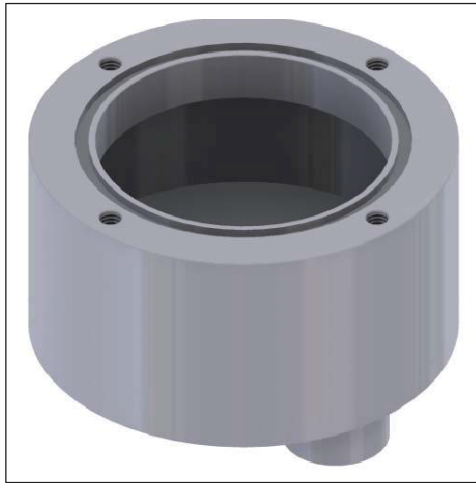
LA-FF18RMA

Black replacement
knuckle mount



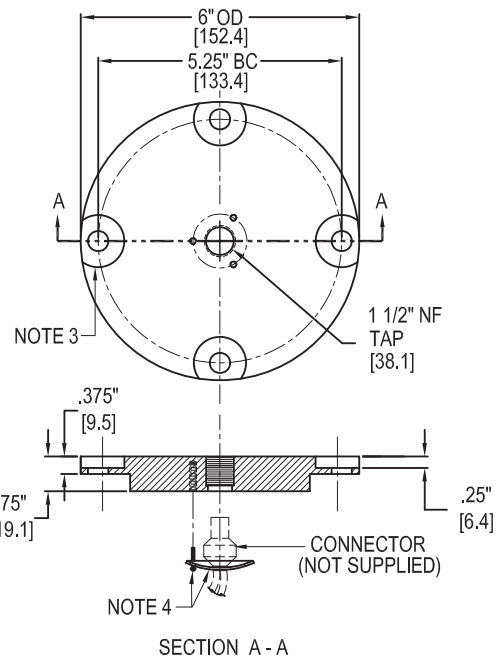
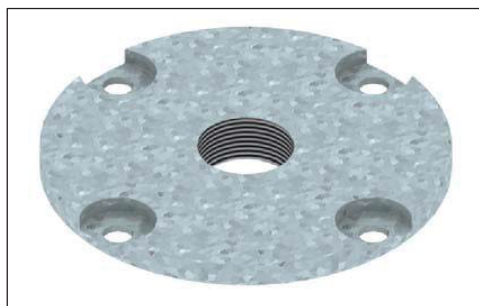


30-7609 Junction Box & Cover Plate FAA L-869



Junction Box

1. Approved and Certified to FAA Advisory Circular AC150/5345-42C L-869 6"
2. Junction Boxes are Zinc Plated to QQZ-325
3. (4) 3/8"-16 equally spaced, tapped holes
4. Junction boxes are shipped with:
 - (4) 3/8"-16 x 3/4" SS hex head bolts (10650196)
 - (1) 'O' ring gasket (10530289)



Cover Plate

1. Approved and Certified to FAA Advisory Circular 150/5345-42C L-869 6"
2. Cover Plate is galvanized to ASTM-A123/A123M-02
3. (4) 7/16" Ø equally spaced, thru holes with 1 1/8" Ø counter bore
4. Cover plate with tapped opening is shipped with:
 - Hardware packup #6120 which contains:
 - (1) 3 hole L 823 cable clamp (8089)
 - (3) #10-24 x 1 1/2" SS machine screws (10670781)