



Heliport LED Floodlight with Hood

Applications

Our LED Surface Floodlight is specially designed for helipads, providing glare-free, uniform surface lighting for landing and loading activities. LED Surface Floodlights improve pilot depth perception by reflecting the surface of the helipad, allowing pilots to better estimate their altitude during landing.

Features

- 80W high-intensity, glare-free floodlight
- Uniform surface lighting improves pilot depth perception
- Floodlight hood eliminates glare to pilots
- Ultra-efficient LEDs reduce power consumption
- 100,000-hour LED lifespan reduces maintenance costs
- UL Listed weather-resistant enclosure
- Metal guard to protect the lens.
- Mounting options: base plate or stake (sold separately)
- 5-year warranty

Specifications

Listings:

- UL Listing: Suitable for wet locations and ground mounting.
- IESNA LM-79 & LM-80 Testing: LED luminaires and LED components have been tested by an independent laboratory in accordance with IESNA LM-79 and LM-80.
- DLC Listed: This product is on the Design Lights Consortium (DLC) Qualified Products List and is eligible for rebates from DLC Member Utilities. DLC Product Code: PTKPSNQC

Driver Info:

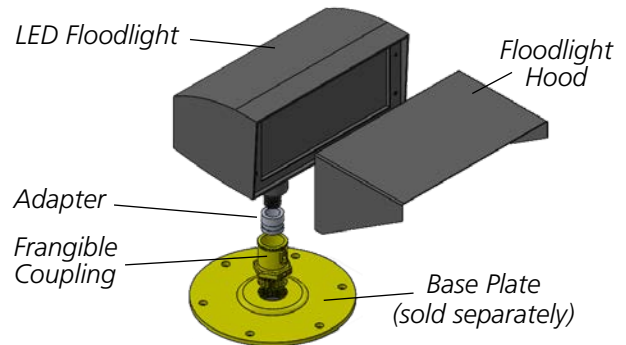
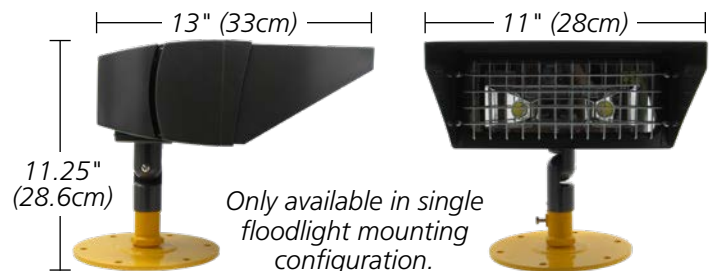
- Type: Constant Current
- 120V: 0.74A, 208V: 0.48A, 240V: 0.41A, 277V: 0.36A
- Input Watts: 88.8W

LED Info:

- Watts: 80W
- Color Temp: 5000K (Cool)
- Color Accuracy: 72 CRI
- L70 Lifespan: 100,000
- Lumens: 9,672
- Efficacy: 108.9 LPW

LED Characteristics: (all values are typical (tolerance +/- 10%))

- LEDs: Multi-chip, high-output, long-life LEDs
- Lifespan: 100,000-hour LED lifespan based on IES LM-80 results and TM-21 calculations
- Color Consistency: 7-step MacAdam Ellipse binning to achieve consistent fixture-to-fixture color
- Color Stability: LED color temperature is warranted to shift no more than 200K in CCT over a 5-year period
- Color Uniformity: Range of CCT (Correlated Color Temperature) follows the guidelines of the American National Standard for (SSL) Products, ANSI C78.377-2017.



Care should be taken to place floodlights clear of the TLOF, the FATO, the safety area, the approach/departure surfaces, and any required transitional surfaces.

Ordering Code

Fixture Type	Input Power	Fixture Options
HL-SFLED	AC: 120-277 VAC	1: 1.5" Frangible Coupling (P/N FL-FC1.5) 2: 2" Frangible Coupling (P/N FL-FC2.0)

+1.800.806.3548 US & Canada
 +1.916.394.2800 Worldwide
 +1.916.394.2809 Fax

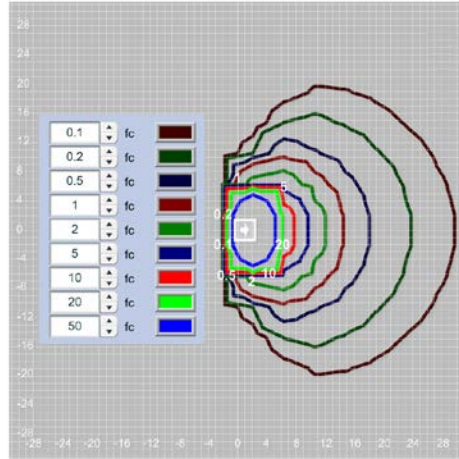
www.flightlight.com
sales@flightlight.com

Flight Light Inc., 2708 47th Ave.
 Sacramento, CA, 95822, USA



Construction:

- IP Rating: Ingress Protection rating of IP66 for dust and water
- Ambient Temperature: Suitable for use in 104°F (40°C)
- Cold Weather Starting: Minimum starting temperature is -40°F (-40°C)
- Thermal Management Housing: Superior heat sinking with external "Air-Flow" fins
- Housing: Die-cast aluminum housing, lens frame, lens guard, mounting arm
- Color: Bronze
- Finish: Formulated for high durability and long-lasting color
- Threaded Size: 1/2" threaded arm
- Mounting: Heavy-duty mounting arm with "O" ring seal & stainless steel screw



LED Floodlight Photometrics

- Effective Projected Area: EPA = 0.65
- Reflector: Specular polycarbonate
- Gaskets: High-temperature silicone gaskets
- Green Technology: Mercury and UV free. RoHS-compliant components.
- Weight: 12.9 lb. (5.85 kg)

Optical:

- NEMA Type: NEMA Beam Spread of 7H x 6V
- Equivalency: Equivalent to 250W Metal Halide

Electrical:

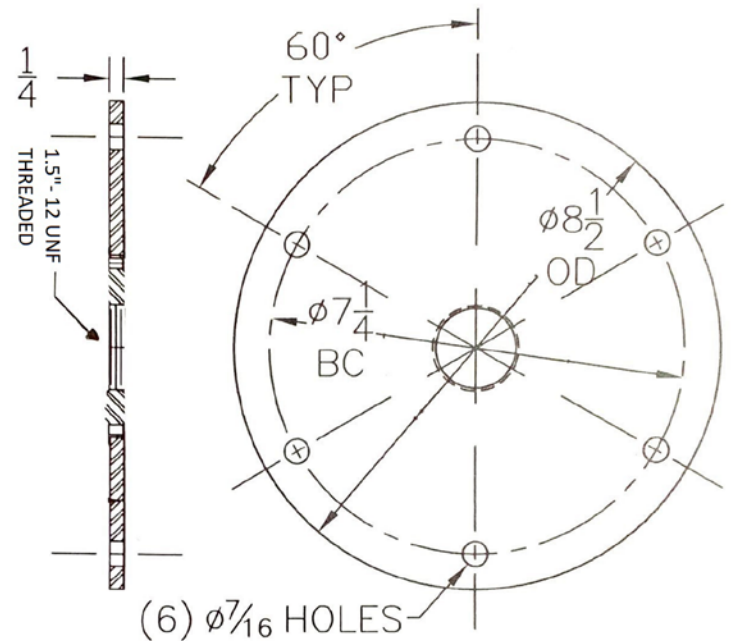
- Driver: Constant Current, Class 2, 100-277V, 50/60 Hz, 6 kV surge protection, 120V: 074 A, 208V: 048 A, 240V: 041 A, 277V: 036 A

Base Plate for L868AA 5" Shallow Base BA-1935AA-25



Specifications

- Dimensions: 8.5" diameter x .25" thick
- Bolt Circle: 7.25"
- Material: Hot rolled steel
- Finish: Aviation yellow powder coat
- Includes (6) 3/8-16 x 1" stainless steel hex head cap screws
- Part #: BA-1935AA-25



+1.800.806.3548 US & Canada
 +1.916.394.2800 Worldwide
 +1.916.394.2809 Fax

www.flightlight.com
sales@flightlight.com

Flight Light Inc., 2708 47th Ave.
 Sacramento, CA, 95822, USA



Replacement Part

LA-FF18RMA

Black replacement knuckle mount

